

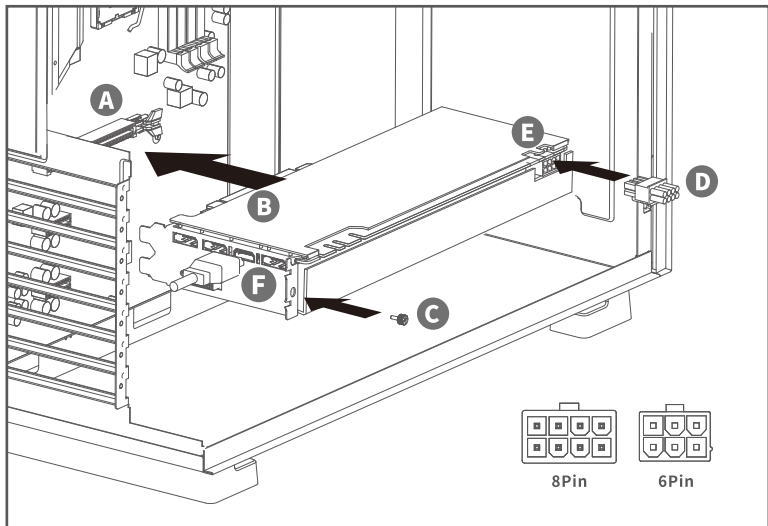


QUICK GUIDE

一 安装显卡

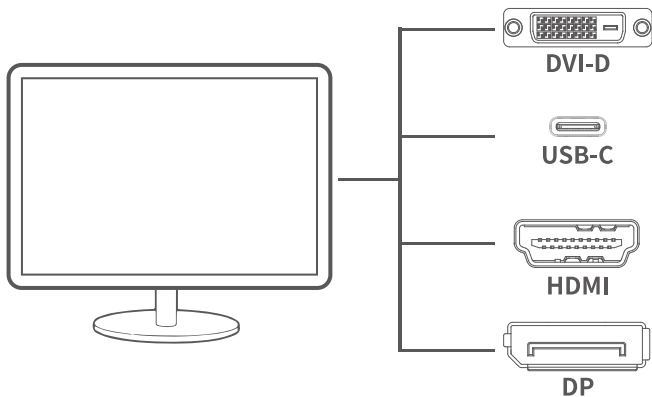
1. 关闭计算机电源并且拔出电源线
2. 移除机箱盖并且找到PCIe插槽 **A**
3. 移除要安装显卡扩展槽处的金属后挡板
4. 将显卡PCIe接口 **B** 插入至PCIe插槽并且确保插入牢固
5. 用螺丝 **C** 将显卡固定在扩展槽上
6. 将对应的PCIe供电接头 **D** 连接至显卡独立供电接口 **E**

www.colorful.cn



二 连接显示器

1.将显示器的信号线连接至显卡相对应的信号端口 **F**



三 安装驱动程序

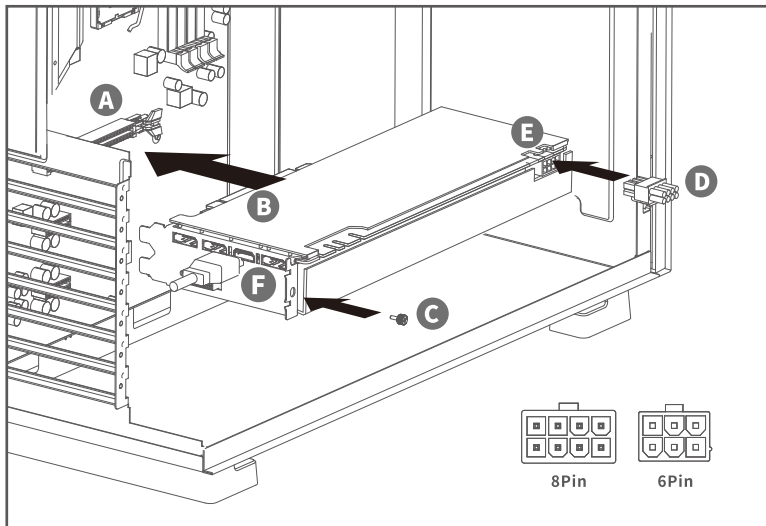
- 1.访问www.colorful.cn下载最新驱动程序
- 2.运行驱动程序并按照安装提示安装驱动程序与软件

注意

- 1.部分显卡不具备独立供电接口,无需执行安装步骤6
- 2.待信号线连接完毕方可重新连接所有电源线
- 3.安装图片仅供参考,具体操作请以实际情况为准

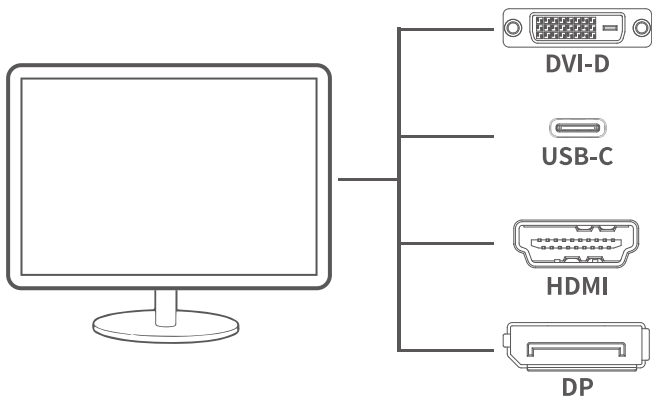
I. Install the graphics card

1. Turn off the computer and unplug the power cord
2. Remove the chassis cover and find the **PCIe slot A**
3. Remove the metal back plate at the expansion slot you want to insert the graphics card in
4. Insert **PCIe connector B** into PCIe slot and make sure that it is firmly inserted
5. Fix the graphics card to the expansion slot with **screw C**
6. Connect the corresponding **PCIe power connector D** to the **independent power supply interface E** on the graphics card



II. Connect the monitor

1. Connect the monitor's signal cable to the **signal port F** corresponding to the graphics card



III. Install the drivers

1. Visit www.colorful.cn to download the latest driver
2. Run the driver and follow the installation prompts to install drivers and software

Note

1. Some graphics cards do not have independent power supply interfaces and no need to perform installation step 6
2. Wait until the signal cable is connected before reconnecting all power cables
3. The installation picture is for reference only, please refer to the actual situation for details.